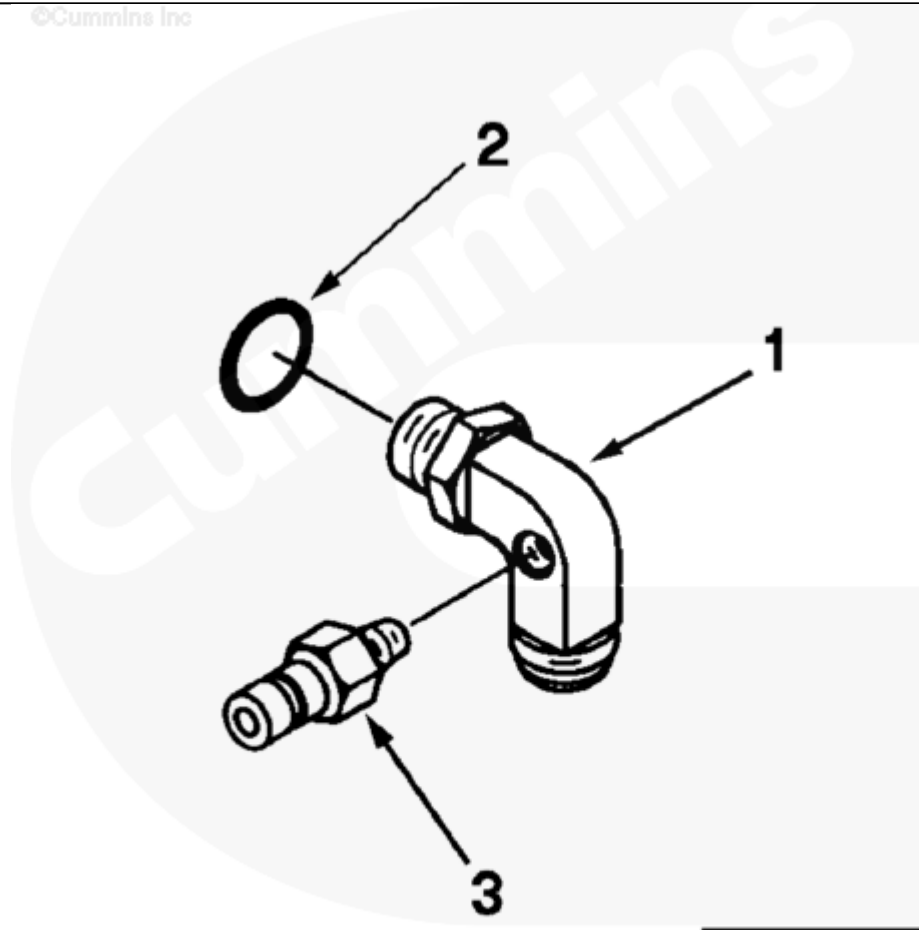




Parts Catalog - Option Detail

Electronic Parts Catalog - Option Detail				
Option	Group	Graphic	Film Card	Date
FF2773-01	06.02	fs200gg	II	01-OCT-02
Engines	ISM CM570, ISM CM570/870, ISM CM875, ISM CM876, ISM CM876 E, ISM11 CM876 M103, ISM11 CM876 SN, M11 CELECT, M11 CELECT PLUS, M11 MECHANICAL, QSM11 CM570, QSM11 CM876			

©Cummins Inc



fs200gg

[SMALL](#) | [MEDIUM](#) | [LARGE](#)

Cart	Ref No	Part Number	Part Description	Required	Remarks
View My Cart					
		FF2773-01	Fuel Pump Inlet Fitting		
					Fuel Pump Inlet Fitting

					Pump Inlet Fitting: 90
					Degree Elbow
					Diagnostic Provision: Yes
					Inlet Fitting Orientation:
					11:00 as Viewed from Rear of
					Engine
					Fuel Filter Location: Remote
					from Fuel Pump
<input type="checkbox"/>	1	211769	Male Union Elbow	1	
<input type="checkbox"/>	2	3046201	O-Ring Seal	1	
<input type="checkbox"/>	3	3042618	Coupling Nipple	1	

© 2019 Cummins Inc., Box 3005, Columbus, IN 47202-3005 U.S.A.
Terms of Use and Disclaimers | Recommended System Requirements
Need Assistance? Please click on the Contact Us button in the top right corner of any page.